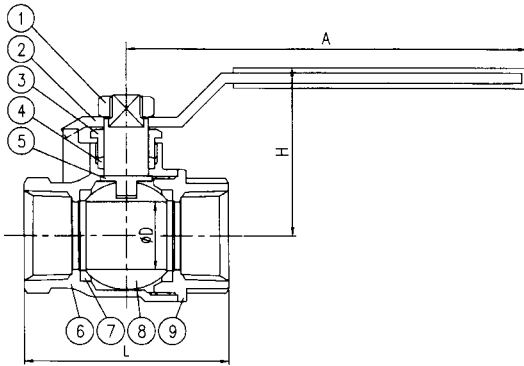


Brass Ball Valve PN40 Chrome Plated Ball • Adjustable Packing Gland

Thread Ends comply to BS21 Taper Thread (ISO 7)
Conforming to BS 5154 or BSEN 12288



NP 603F

MATERIAL LIST

PART	MATERIAL	SPECIFICATION (BS)
1. Nut	Steel	Steel
2. Handle	Steel	Steel
3. Stem Gland Screw	Brass	BS2874 CZ121
4. Stem Packing	Teflon	PTFE
5. Stem	Brass	BS2874 CZ121
6. Body	Forged Brass	BS2874 CZ122 (1/2"~1-1/2")
	Cast Brass	BS1400 DCB3 (2"~4")
7. Ball Disc Packing	Teflon	PTFE
8. Ball Disc	Brass	BS2874 CZ121 (1/2"~3/4")
	Forged Brass	BS2874 CZ122 (1"~4")
9. End Plug	Forged Brass	BS2874 CZ122

Pressure Testing

Shell 60 Bar
Seat 44 Bar

Pressure Rating

40 bar from -10°C to 100°C
18 bar @140°C

DIMENSIONS (mm)

Nominal Size Inch(mm)	L	H	D	A	Wt. (Kg)
1/2" (15mm)	51	39	12.7	84	0.19
3/4" (20mm)	60	50	20	118	0.37
1" (25mm)	73	54	25	118	0.55
1 1/4" (32mm)	84	66	32	134	0.91
1 1/2" (40mm)	92	70	38	134	1.23
2" (50mm)	110	88	50	200	2.08
2 1/2" (65mm)	131	98	63	200	3.06
3" (80mm)	150	106	75	200	4.61
4" (100mm)	164	106	75	200	5.22