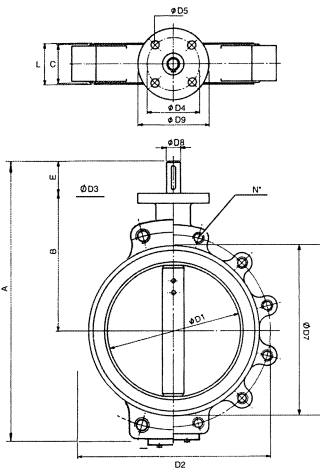


PN16 butterfly valve • BS5155

Cast Iron / Ductile iron Body • Extended Neck • Lug & Wafer BS 4504

Size: 2" through 14"

SERIES A (PN10) / SERIES B (PN16)

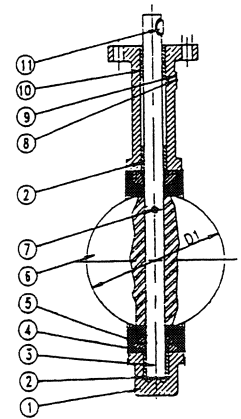


SERIES A (PN10)

SERIES B (PN16)

MATERIAL LIST

PART	MATERIAL SERIES A / SERIES B	ASTM SPECS SERIES A / SERIES B
1. Body	Cast Iron / Ductile Iron	A126 CL.B/A-536
2. Long Bushing	Bronze	B584-C83600
3. Stem	Stainless Steel	316 / 416 SS
4. O-Ring	Rubber	D2000-NBR
5. Seat	Rubber	D2000-NBR / EPDM
6. Disc	Alum. Bronze	B148-C95400
	Stainless Steel	A276-316
	Ductile Iron	A536-654512
7. Taper Pin	Stainless Steel	A582-416
8. Rivet	Steel	--
9. Nameplate	Aluminum	--
10. Short Bushing	Bronze	B584-C83600
11. Woodruff Key	Steel	A108-1045



**NE 200 SERIES
(LD3022)**

PRESSURE / TEMPERATURE RATING

	SERIES A (PN10)	SERIES B (PN16)
Working Pressure	10 BAR	16 BAR
Shell Test	15 BAR	24 BAR
Seat Test	11 BAR	17.6 BAR
Working Temp.	EPDM -15°C to 130°C BUNA -N -12°C to 82°C	-15°C to 130°C -12°C to 82°C

Model NE200 - PN16 Wafer & Lug type

Dimensions in accordance with ISO-5752/5211-1

Size	D1	D2	D3	D4	D5	D6	D7	D8	D9	D10	A	B	C	E	L	N*	K
DN50 (2")	49.88	125	19	50	7	76.3	100	12.6	77	32.3	273	161	43	32	46	4	3.18 X 12.7
DN65 (2.5")	64.49	145	19	50	7	89	120	12.6	77	46.1	296	175	46	32	49	4	3.18 X 12.7
DN80 (3")	78.84	160	19	50	7	103.9	127	12.6	77	64.4	308	181	46	32	49	8	3.18 X 12.7
DN100 (4")	99.04	180	19	70	10	135	156	15.77	92	86.3	346	200	52	32	55	8	4.76 X 19
DN125 (5")	123.32	210	19	70	10	139	190	18.92	92	110.6	372	213	56	32	59	8	4.76 X 19
DN150 (6")	149.58	240	23	70	10	188.4	212	18.92	92	134.8	397	226	56	32	59	8	4.76 X 19
DN200 (8")	199.46	295	23	102	12	238.2	268	22.1	125	192.4	480	260	60	45	63	12	4.76 X 19
DN250 (10")	249.47	355	28	102	12	292.4	325	26.45	125	241.7	540	292	68	45	63	12	6.35 X 25.4
DN300 (12")	294.55	410	28	102	12	344.2	403	31.6	140	291.8	624	337	78	45	81	12	6.35 X 25.4
DN350 (14")	333.5	470	28	102	12	375.1	436	31.6	140	322	680	368	78	45	81	16	6.35 X 25.4

We reserve the right to change dimensions without prior notice.