

True Union Ball Valve

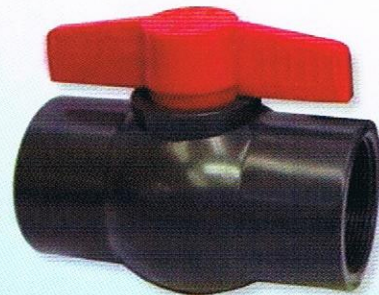
Size : 1/2" - 4"
 Body : UPVC
 Oring : EPDM
 Seat : PTFE



End : Socket (ANSI, CNS, JIS, DIN)
 Threaded (BSPT / RC, NPT)
 Working pressure : 150 PSI / PN 10

Compact Ball Valve

Size : 1/2" - 2"
 Body : UPVC
 Oring : EPDM
 Seat : Santoprene



End : Socket (ANSI, CNS, JIS, DIN)
 Threaded (BSPT / RC, NPT)
 Working pressure : 150 PSI / PN 10

Ball Foot Valve

Size : 1/2" - 4"
 Body : UPVC
 Seat : EPDM



End : Socket
 (ANSI, CNS, JIS, DIN)
 Threaded (BSPT / RC, NPT)
 Working pressure : 150 PSI / PN 10

Single Ball Check Valve

Size : 1/2" - 4"
 Body : UPVC
 Seat : EPDM



End : Socket
 (ANSI, CNS, JIS, DIN)
 Threaded (BSPT / RC, NPT)
 Working pressure : 150 PSI / PN 10

Butterfly Valve Level Handle Type

Size : 2" - 8"
 Body : UPVC
 Gate : PP
 Seat : EPDM



End : Socket
 (ANSI, CNS, JIS, DIN)
 Threaded (BSPT / RC, NPT)
 Working pressure : 150 PSI / PN 10

Butterfly Valve Worm Gear Type

Size : 8" - 12"
 Body : UPVC
 Gate : PP
 Seat : EPDM



End : Socket
 (ANSI, CNS, JIS, DIN)
 Threaded (BSPT / RC, NPT)
 Working pressure : 150 PSI / PN 10



Thermoplastic Valve

MEFCO

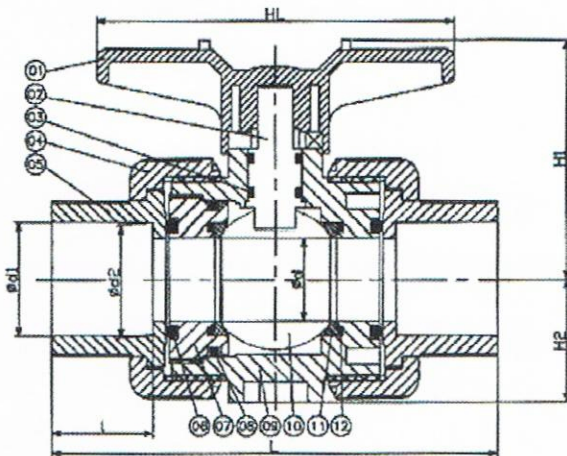
www.vibration.co.th

UPVC TRUE UNION BALL VALVE

Item No. MC-868

- Size 1/2" - 4"
- Full port design
- Easy maintenance
- Teflon seat
- Easy automated
- Socket or threaded end

Working pressure : 150 psi / PN 10



NO	Part Name	Q'ty	Material
1	Handle	1	ABS
2	Stem	1	UPVC
3	Stem O-ring	2	EPDM
4	Union Nut	2	UPVC
5	Union End	2	UPVC
6	End Seal	2	EPDM
7	Spacer	1	UPVC
8	Spacer Seal	1	EPDM
9	Body	1	UPVC
10	Ball	1	UPVC
11	Seat	2	PTFE
12	Seat Seal	2	EPDM

Dimension Table

Normal Diameter		Normal Pressure MPa (at20°)	Distance L	Inside Ød	Outside ØDu	Socket						L	H1	H2	HL	F	M
A	B					ANSI		DIN		JIS							
						Ød1	Ød2	Ød1	Ød2	Ød1	Ød2						
15	1/2"	1.0	104	15	53	21.54	21.23	20.30	20.10	22.40	21.52	22.5	53	25	84	31	M6
20	3/4"	1.0	117	20	61	26.87	26.57	25.30	25.10	26.45	25.42	26	61	29	90	33	M6
25	1"	1.0	132	25	71	33.67	33.27	32.30	32.10	32.55	31.37	30	71	36.5	106	40	M6
32	1.1/4"	1.0	147	32	83	42.42	42.04	40.30	40.10	38.60	37.31	32	82.5	41	116	52	M8
40	1.1/2"	1.0	167	40	96	48.56	48.11	50.30	50.10	48.70	47.21	36	91	48	128	52	M8
50	2"	1.0	179	50	116	60.63	60.17	63.30	63.10	60.80	59.10	40	110	54.5	140	70	M8

Normal Diameter		Normal Pressure MPa (at20°)	Distance L	Inside Ød	Outside ØDu	Socket						H1	H2	HL	F	M	I
A	B					NPT		Rp		Rc							
						thd./in	L(min)	thd./in	L(min)	thd./in	L(min)						
65	2.1/2"	1.0	241	63	150	8	31	11	31	11	27	144	73	204	84	45	M10
80	3"	1.0	271	75	166	8	33	11	34	11	30	151	85	204	84	45	M10
100	4"	1.0	323	97	210	8	35	11	40	11	36	180	104	249	121	49	M12

Made in TAIWAN by **SEKISUI**

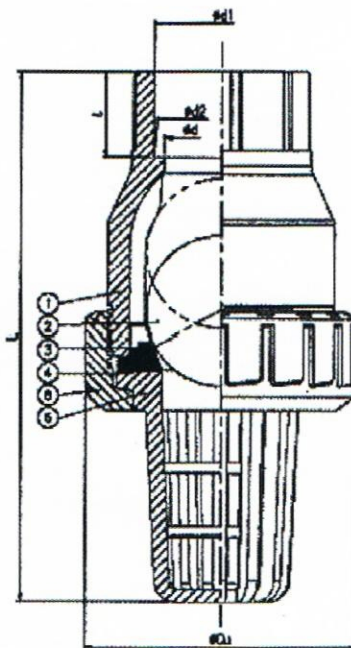


UPVC BALL FOOT VALVE

Item No. MC-810

- Size 1/2" - 4"
- EPDM Seat
- Ball Type
- Socket or threaded end

Working pressure : 150 psi / PN 10



NO	Part Name	Q'ty	Material
1	Body	1	UPVC
2	Ball	1	UPVC
3	Ring	1	UPVC
4	Seat	1	EPDM
5	Nut	1	UPVC
6	Filter	1	UPVC

Dimension Table

Nominal Diameter		Nominal Pressure MPa (at20°)	ød	øDu	Socket											
A	B				ANSI				DIN				JIS			
					ød1	ød2	ℓ	L	ød1	ød2	ℓ	L	ød1	ød2	ℓ	L
15	1/2"	1.0	16	49	21.54	21.23	22.2	119	20.3	20.1	16	112	22.30	21.70	22	119
20	3/4"	1.0	20	59	26.87	26.57	25.4	140	25.3	25.1	19	133	26.30	25.70	25	140
25	1"	1.0	25	67	33.65	33.27	28.6	151	32.3	32.1	22	144	32.33	31.67	29	151
32	1.1/4"	1.0	32	98	42.42	42.04	31.8	205	40.3	40.1	28	201	38.43	37.57	32	205
40	1.1/2"	1.0	40	98	48.56	48.11	35.0	205	50.3	50.1	31	201	48.45	47.54	35	205
50	2"	1.0	50	120	60.63	60.17	38.1	180	63.3	63.1	38	179	60.56	59.44	38	180
65	2.1/2"	1.0	65	150	73.38	72.85	44.5	242	75.3	75.1	44	242	76.60	75.33	61	259
80	3"	1.0	80	186	89.31	88.70	47.7	288	90.3	90.1	51	292	89.60	88.29	64	305
100	4"	1.0	102	228	114.78	114.10	57.2	357	110.4	110.1	61	361	114.70	113.20	84	484

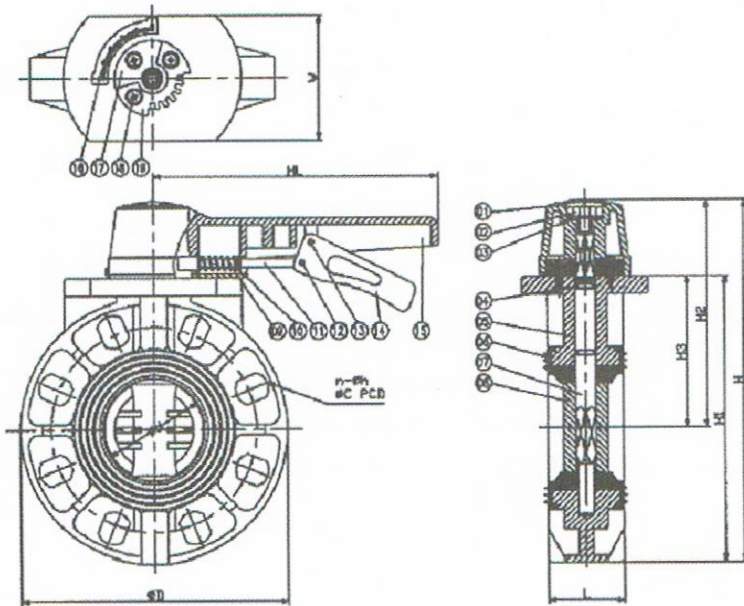
UPVC BUTTERFLY VALVE

Level Handle Type

Item No. MC-838

- Size 2" - 8"
- Level handle type
- PP Gate
- EPDM Seat

Working pressure : 150 psi / PN 10



NO	Part Name	Q'ty	Material
1	Handle Cap	1	ABS
2	Nut	1	SUS27
3	Washer	1	SUS27
4	O-ring	2	EPDM
5	Body	1	UPVC
6	Seat	1	EPDM
7	Stem	1	SUS410
8	Disc	1	PP
9	Spring	1	SUS316
10	Spring Lock	1	ABS
11	Handle Lever	1	SUS304
12	Pin	1	SUS27
13	Pin	1	SUS27
14	Small Handle	1	ABS
15	Handle	1	ABS
16	Lever	1	Aluminum
17	Gear Seat	1	ABS
18	Bolt	3	SUS27
19	Lock Plate	1	SUS304

Dimension Table

Nominal Diameter		Nominal Pressure MPa (at20°)	Inside ød	Distance L	Outside øDu	Socket						H	H1	H2	H3	W	HL
						JIS 10K		ANSI 150LB		DIN PN10							
A	B					Center øC	Bolt Hole n-øh	Center øC	Bolt Hole n-øh	Center øC	Bolt Hole n-øh						
50	2"	1.0	51	54	162	120	4-19	120.7	4-19	125	4-18	230	174	149	93	92	208
65	2.1/2"	1.0	66	48	178.5	140	4-19	139.5	4-19	145	4-18	247	191	158	102	92	208
80	3"	1.0	75	58	195	150	8-19	152.4	4-19	160	8-18	263	207	166	110	92	208
100	4"	1.0	100	60	225	175	8-19	190.5	8-19	180	8-18	296	240	183	128	92	208
125	5"	1.0	125	65	256	210	8-23	215.9	8-19	210	8-18	331	272	203	144	110	280
150	6"	1.0	143	70	282	240	8-23	241.5	8-22	240	8-23	358	298	217	158	110	280
200	8"	1.0	187	79	345	290	12-23	298.5	8-22	295	8-23	450	376	278	204	120	300

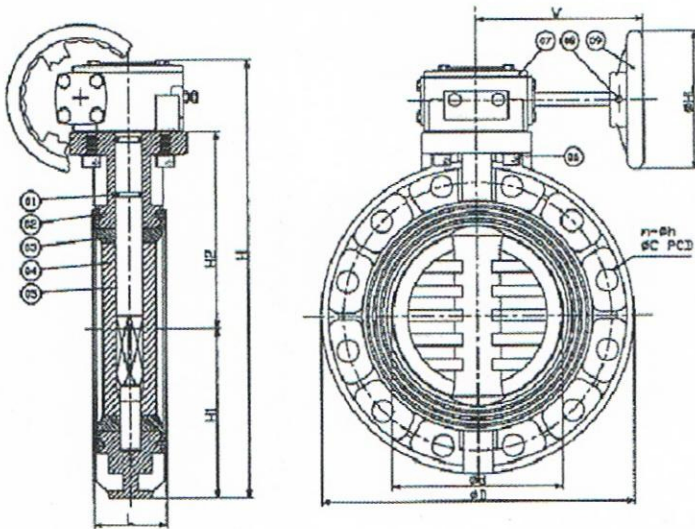


UPVC BUTTERFLY VALVE

Item No. MC-838G

- Size 8" - 12"
- Worm Gear Operate
- PP Gate
- EPDM Seat

Working pressure : 150 psi / PN 10



NO	Part Name	Q'ty	Material
1	Body	1	UPVC
3	Disc	1	PP
5	Stem	1	SUS410
7	Seat	1	See desing
19	O-ring	2	See desing
49	Gate Bushing	1	SUS410
W1	Worm Gear	1	FC20
W2	Bolt	4	SUS27
W3	Washer	4	SUS27
W6	Handle	1	FC20
W8	PIN	1	SUS410

Dimension Table

Nominal Diameter		Nominal Pressure MPa (at20°)	Inside Ød	Distance L	Outside ØDu	Socket						H	H1	H2	W	F	Q	HL
						JIS 10K		ANSI 150LB		DIN PN10								
A	B					Center ØC	Bolt Hole n-Øh	Center ØC	Bolt Hole n-Øh	Center ØC	Bolt Hole n-Øh							
200	8"	1.0	185	78	345	290	12-23	298.5	8-22	295	8-23	446	173	204	198	95	22	22
250	10"	1.0	232	98	413	355	12-25	362.0	12-25	350	12-23	538	207	241	243	140	30	30
300	12"	1.0	282	108	491	400	16-25	431.5	12-25	400	12-23	617	246	281	243	140	30	30

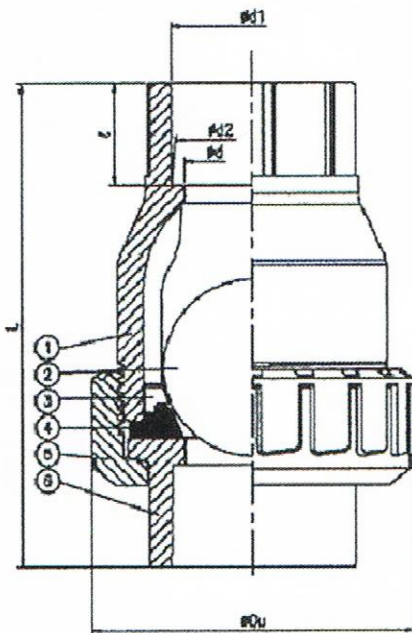


UPVC BALL CHECK VALVE

Item No. MC-812

- Size 1/2" - 4"
- EPDM Seat
- Ball Type
- Socket or threaded end

Working pressure : 150 psi / PN 10



NO	Part Name	Q'ty	Material
1	Body	1	UPVC
2	Ball	1	UPVC
3	Ring	1	UPVC
4	Seat	1	EPDM
5	Nut	1	UPVC
6	End Connector	1	UPVC

Dimension Table

Nominal Diameter		Nominal Pressure MPa (at20°)	ød	øDu	Socket											
					ANSI				DIN				JIS			
A	B				ød1	ød2	ℓ	L	ød1	ød2	ℓ	L	ød1	ød2	ℓ	L
15	1/2"	1.0	16	49	21.54	21.23	22.2	95	20.3	20.1	16	83	22.30	21.70	22	98
20	3/4"	1.0	20	59	26.87	26.57	25.4	110	25.3	25.1	19	99	26.30	25.70	25	118
25	1"	1.0	25	67	33.65	33.27	28.6	119	32.3	32.1	22	106	32.33	31.67	29	124
32	1.1/4"	1.0	32	98	42.42	42.04	31.8	151	40.3	40.1	28	142	38.43	37.57	32	153
40	1.1/2"	1.0	40	98	48.56	48.11	35.0	151	50.3	50.1	31	142	48.45	47.54	35	153
50	2"	1.0	50	120	60.63	60.17	38.1	172	63.3	63.1	38	173	60.56	59.44	38	234
65	2.1/2"	1.0	65	150	73.38	72.85	44.5	218	75.3	75.1	44	218	76.60	75.33	61	310
80	3"	1.0	80	186	89.31	88.70	47.7	265	90.3	90.1	51	269	89.60	88.29	64	362
100	4"	1.0	102	228	114.78	114.10	57.2	344	110.4	110.1	61	348	114.70	113.20	84	408



Thermoplastic Valve MADE IN ITALY



www.vibration.co.th



2-Way Ball Valve
Size 1/2" to 4" End Type: Socket, Threaded



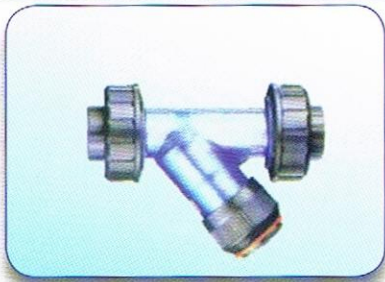
UPVC 2-way Ball Valve Dual Block
Size 1/2" to 4" End Type: Socket, Threaded



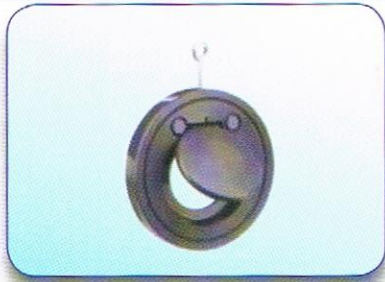
UPVC 3-way Ball Valve
Size 3/8" to 2" End Type: Socket, Threaded



UPVC Butterfly Valve
Size 1 1/2" to 8" End Type: JIS 10K / ANSI



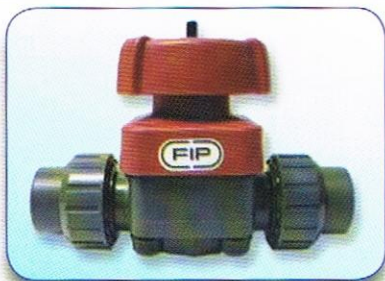
UPVC Sediment Strainer
Size 3/8" to 4" End Type: Socket, Threaded



UPVC Wefer Check Valve
Size 2.1/2" to 6" Standard Type: ISO-DIN



UPVC Pneumatically Actuated Diaphragm Valve
Type : Normally Closed (NC) / Normally Open (NO)
Size 1/2" to 2"
End type : Socket ANSI
Diaphragm materials : PTFE



UPVC Diaphragm Valve
Size 1/2" to 2" Diaphragm materials : EPDM



UPVC Pneumatically Actuated Diaphragm Valve
Type : Normally Closed (NC) / Normally Open (NO)
Size 1/2" to 2"
End type : Socket ANSI
Diaphragm materials : PTFE



UPVC Pneumatically Actuated Diaphragm Valve
Normally Closed Size 1/2" to 2"
End type : Socket ANSI Diaphragm materials : EPDM



PP-GR Butterfly Valve
Size 2" to 4" Body materials : PP-GR
Disc materials : UPVC Seals : EPDM



PP-H 2-way Ball Valve Dual Block
Size 1/2" to 2" End Type: Socket Fusion
Seats: PTFE Seals : EPDM



PP-H 2-way Ball Valve Dual Block
Size 1/2" to 2" End Type: Butt Fusion
Seats: PTFE Seals : EPDM



True Union 2000 Valves



True Union 2000 Industrial 3-Way Valve



True Union 2000 Industrial Ball Check



True Union Ball Valves (Regular Style)



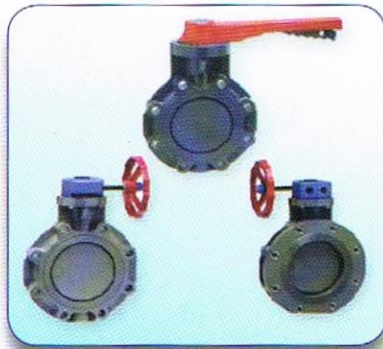
Compact Ball Valves



Laboratory and Specialty Valve



Gate Valves



Butterfly Valves



Diaphragm Valves



Swing Check Valves



Y-Strainers



Schedule 80 Fittings



Thermoplastic Valve MADE IN TAIWAN



www.vibration.co.th



UPVC Spring Check Valve
Size 1/2" to 2"
End Type: Socket, Threaded



UPVC Swing Check Valve
Size 3" to 8"
End Type: Flanged JIS10K, ANSI



UPVC Double Union Ball Check Valve
Size 1/2" to 4"
End Type: Socket, Threaded

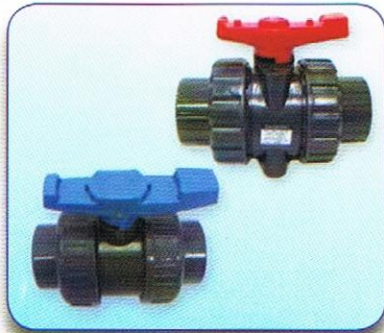


UPVC Spring Foot Valve
Size 3/4" to 3"
End Type: Socket, Threaded

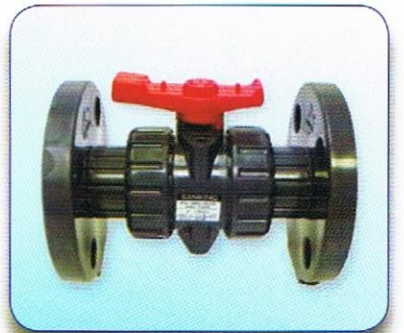


UPVC Swing Foot Valve Flanged End
Size 3" to 6"
End Type: Flanged JIS10K / ANSI

MADE IN
TAIWAN

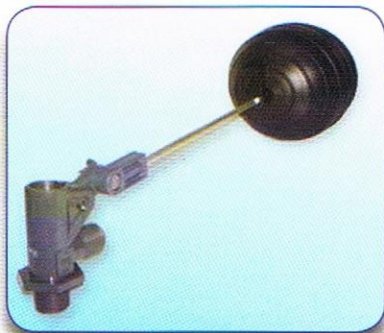


UPVC Double Union Ball Valve
Size 1/2" to 4"
End Type: Socket, Threaded

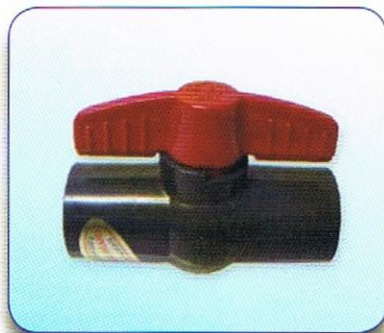


UPVC Double Union Ball Valve Flanged End
Size 1/2" to 4"
End Type: JIS 10K, ANSI 150P

SANKING



Thermoplastic Float Valve Assemble
Size 1/2" to 3"
End Type: BSPT threaded



UPVC Compact Ball Valve
Size 1/2" to 4"
End Type: Socket, Threaded



UPVC Laboratory Ball Valves
Size 1/4" and 3/8"
End Type: MPT x BARB



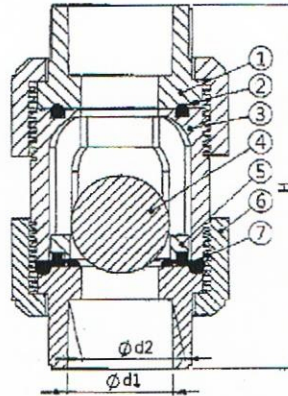
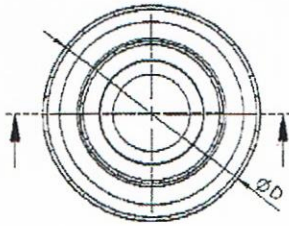
UPVC

Double Union Ball Check Valve

Item No. LD-812



www.vibration.co.th



SIZE	CNS		ANSI		BS		D	H
	d1	d2	d1	d2	d1	d2		
1/2"	22.4	21.8	21.54	21.23	21.54	21.23	55	97
3/4"	26.4	25.8	26.87	26.57	26.87	26.57	65	107
1"	34.4	33.8	33.66	33.27	33.66	33.27	70	130
1 1/4"	42.4	41.9	42.29	42.04	42.29	42.04	87	144
1 1/2"	48.4	47.8	48.56	48.11	48.56	48.11	101	161
2"	60.4	59.8	60.63	60.17	60.63	60.17	115	165
3"	89.6	88.7	89.31	88.7	89.31	88.7	145	255

NO	Part Name	Q'ty	Material
1	End Connector	2	UPVC
2	O-ring	1	EPDM
3	Valve Body	1	UPVC
4	Ball	1	UPVC
5	Ball Stopper	1	UPVC
6	Nut	2	UPVC
7	Gasket	1	EPDM



UPVC

Thermoplastic Float Valve

ลูกลอย พลาสติก UPVC

Item No. LD-855A



FEATURES:

- Designed for low maintenance and fully adjustable.
- Easily mounted to tank wall.
- Solid construction and thermoplastic body, never rust !
- Stainless steel parts.
- Excellent flow characteristics.

DESCRIPTION :

SIZE : 1/2" to 2"

END TYPE : BSPT

MATERIAL : UPVC

Water Pressure Size \ Flow Rate (GPM)	(PSI)	25	50	75	100	125	150
1/2", 3/4"		27	35	42	50	57	65
1"		44	58	72	86	98	111
1.1/2"		76	93	110	127	143	159
2"		220	237	255	272	289	306

*** 1 Kg / cm2 = 14.22 PSI

*** 1 GPM = 3.785 LPM



UPVC
SWING CHECK VALVE Flange End
Item No. LD-818F



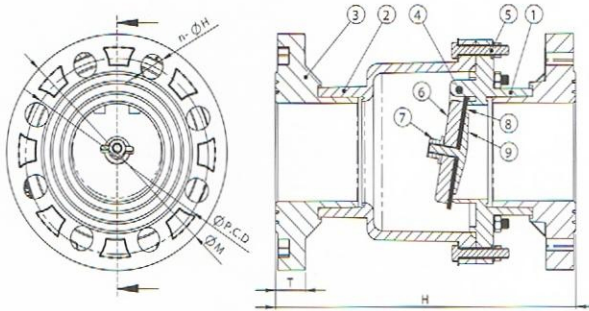
www.vibration.co.th

DESCRIPTION :

SIZE : 3", 4", 5", 6", 8"

END TYPE : Flanged JIS 10K / ANSI 150P

MATERIAL : UPVC



NO	Part Name	Q'ty	Material
1	Valve Body	1	UPVC
2	End Connector	1	UPVC
3	Flange	2	UPVC
4	Pin	1	Stainless Steel
5	Screw	N	Stainless Steel
6	Disk	1	UPVC
7	Nut	1	UPVC
8	Gasket	1	NBR
9	Gasket Holder	1	UPVC



Dimension Table

Size	CNS				DIN				ANSI				H	N
	Ø M	ØP.C.D.	n-ØH	T	Ø M	ØP.C.D.	n-ØH	T	Ø M	ØP.C.D.	n-ØH	T		
3"	185	150	8-19	22	200	160	8-18	22	191	152.5	4-19	23	260	8
4"	210	175	8-19	22	220	180	8-18	22	229	190.5	8-19	24	300	8
5"	250	210	8-23	22	250	210	8-18	22	254	216.0	8-22	24	350	8
6"	280	240	8-23	24	285	240	8-23	24	284	241.5	8-22	24	400	12
8"	N/A	N/A	N/A	N/A	N/A	N/A	N/A	N/A	N/A	N/A	N/A	N/A	N/A	N/A



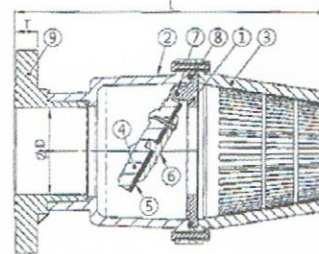
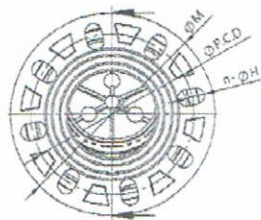
UPVC
SWING FOOT VALVE Flange End
Item No. LD-813F

DESCRIPTION :

SIZE : 3", 4", 5", 6", 8"

END TYPE : Flanged JIS 10K / ANSI 150P

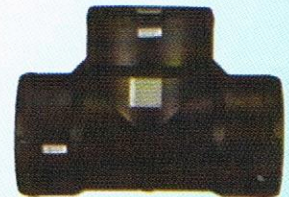
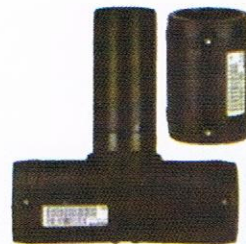
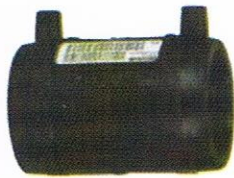
MATERIAL : UPVC



Dimension Table

Size	Ø P.C.D.		Ø M		n-ØH		T		L	Ø D
	CNS	ANSI	CNS	ANSI	CNS	ANSI	CNS	ANSI		
3"	150.0	152.5	185	191	8-19	4-19	22	24	310.0	80
4"	175.0	190.5	210	229	8-19	8-19	22	24	348.5	102
5"	210.0	216.0	250	254	8-23	8-22	24	24	424.5	124
6"	240.0	241.5	280	284	8-23	8-22	26	26	490.0	145
8"	290.0	298.5	330	343	12-23	8-22	28	28	580.0	195

NO	Part Name	Q'ty	Material
1	Connector	1	UPVC
2	End Connector	1	UPVC
3	Filter	1	UPVC
4	Disk	1	UPVC
5	Gasket	1	NBR
6	Gasket Holder	1	UPVC
7	Stick	1	Stainless Steel
8	O-Ring	1	NBR
9	Flange	1	UPVC





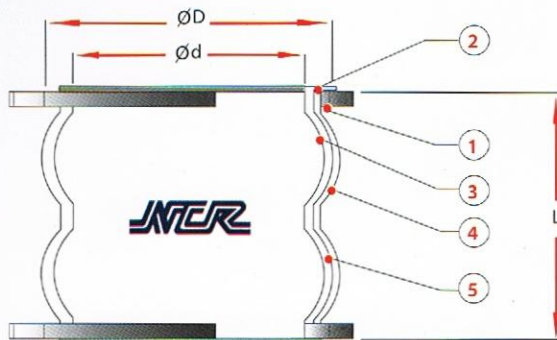
www.vibration.co.th

ท่ออย่างกันทรุด

TYPE : BF (เหมาะกับการใช้งานฝังดิน)

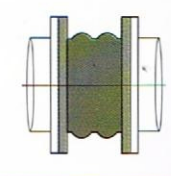
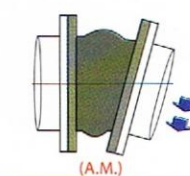
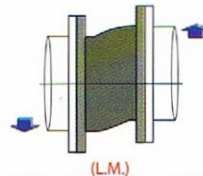
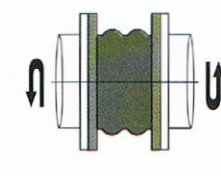
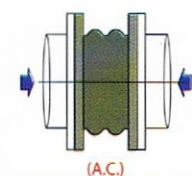
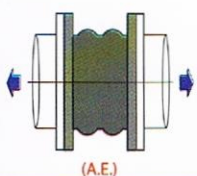
- การใช้งาน : ใช้ในการเชื่อมต่อระหว่างท่อ เพื่อส่งผ่านลม, น้ำ และสารที่ไม่มีฤทธิ์กัดกร่อน
- ยางชั้นใน : ยางสังเคราะห์
- ชั้นเสริมแรง : ผ้าใบความยืดหยุ่นสูง พร้อมเส้นลวดเสริมแรง
- ยางชั้นนอก : ยางสังเคราะห์ทนการขีดข่วน และสภาพอากาศได้ดี
- สี : ดำ
- ผิวนอก : พื้นผ้า, ตัวหอน

- อุณหภูมิใช้งาน : -20 °C ถึง +80 °C
- รัศมีโค้งงอต่ำสุด : 6 เท่าของวงใน
- ค่าเผื่อปลอดภัย : 1.5 : 1
- ความยาวมาตรฐาน : 1 ฟุต, 1.1/2 ฟุต, 2 ฟุต, 1 M.



Material Specification

No.	Name	Material
1	Flange	FCD / SS400 / SUS304
2	Wire	Carbon Steel
3&4	Inner & outer rubber	Synthetic rubber
5	Reinforcement	Synthetic fiber



AXIAL EXTENSION AXIAL COMPRESSION TORSIONAL MOVEMENT LATERAL DEFLECTION ANGULAR MOVEMENT VIBRATION

คุณลักษณะ:

NCR Flex : เหมาะสำหรับการใช้ส่งน้ำ น้ำอุ่น น้ำเค็ม ระบบท่อน้ำกรดหรือต่างอย่างอ่อน ๆ
สำหรับงานดูดและอัดแรงดัน : ด้วยเทคโนโลยีในการพสานคุณสมบัติของยางและผ้าใบเสริมแรง ทำให้ NCR Flex สามารถใช้ดูดส่งน้ำและอัดด้วยแรงดัน โดยท่อไม่ยุบตัว
อุณหภูมิในการใช้งาน : -20 ถึง +80 องศาเซลเซียส
ทนต่อแรงยึดและหดตัว : NCR Flex มีคุณสมบัติเด่นในการทนต่อการหดตัวถึง 40 มม. และทนต่อการยืดตัวถึง 20 มม.ซึ่งมักเกิดได้จากการทรุดตัวของดิน และการเปลี่ยนแปลงอุณหภูมิในอากาศ
การลดเสียงและแรงสั่นสะเทือน : NCR Flex สามารถลดเสียงและป้องกันความเสียหายจากแรงสั่นสะเทือนจากปั๊มน้ำได้ดีมาก
ติดตั้งง่าย : ด้วยการออกแบบให้ใช้กับหน้าแปลนที่เป็นมาตรฐาน (ANSI 150 & JIS 10, PN 10) โดยไม่ต้องใช้ประเก็นในการติดตั้งท่อ ทำให้ NCR Flex สามารถประกอบหรือถอดออกจากระบบท่อที่มีหน้าแปลนเดิมได้อย่างสะดวกและรวดเร็ว

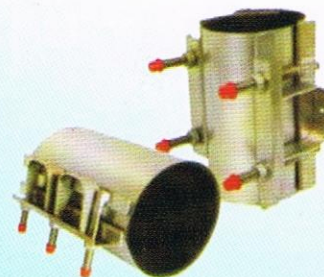


MidiFit

- Universal coupling range
- Couplings/flange adaptors/stepped coupling/special fittings
- DN40/1 1/2" - DN300/12"
- 16 bar working pressure
- True repair product

HandiRange

- Stainless steel repair clamps
- Full range, outlets, flanged etc
- Fully stainless construction
- DN50/2" - DN600/24"



EasyRange

- Wide tolerance iron body clamps
- Repairs as strong as pipe
- 16 bar working pressure
- Install underpressure
- Universal underpressure tees
- Spigot and socket repair system
- DN40/1 1/2" - DN300/12"



AquaFast

- Progressive gripping and sealing
- No support liner for PE
- Suitable for PE and PVC (metric)
- Couplings and flange adaptors DN63 - DN315
- No torque requirement - visual bolt stop



Dedicated Range

- Available DN40/1 1/2" - >DN5000/200"
- Couplings and flange adaptors/stepped couplings
- Working pressure up to 70 bar (Depending on size)

UltraGrip

- Wide tolerance universal coupling range
- Self anchoring on most materials
- DN50/2" - DN300/12"
- Couplings/flange adaptors/reducing couplings/Pecat adaptors and end caps
- Flexible option



AquaGrip

- WIS 4-24-01 Type 1 pull out resistant joint for PE
- Couplings and flange adaptors
- Joins MDPE/HDPE/HPPE
- Coupling DN63 - DN180
- Flange adaptors DN63 - DN1600



FlexLock

- Self anchoring couplings and flange adaptors
- DN50/2" - DN300/12"
- Ductile iron and steel pipes

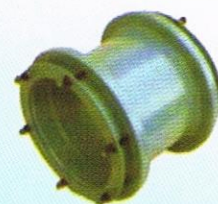


Dismantling Joints

- Simple and effective flexibility in flanged systems
- DN50/2" - DN5000/200"
- Full end load rating

Wall Coupling

- The perfect solution for passing pipe into and through walls and structures
- Several end configurations available inc coupling, plain-end, flange, bellmouth, harnessed and man entry giving full flexibility in pipework design





SPACIO SYSTEM (PIPE AND VARIOUS JOINTS) ENABLES YOU TO ACHIEVE FREE DESIGN. SPEEDY FABRICATION AND COST SAVING ARE REALIZED AS WELL.



Enhancement of storage capacity

Enhancement of mobility and transportation

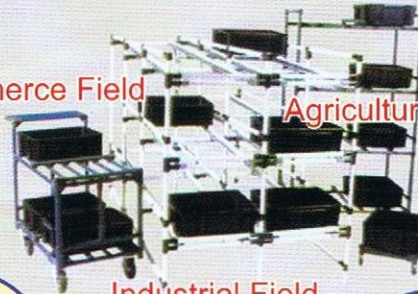


Commerce Field

Agriculture Field

Improvement of working environment

Enhancement of workability



Improvement of safety

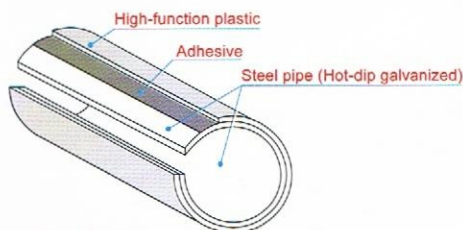
Industrial Field

Improvement of harmony between people and products



PIPE

High function plastic is coated closely on hot-dip galvanized steel pipe so SPACIO System is friendly to the environment and people and it provides long term rust proof having an excellent weatherproof and durability.



SPACIO pipe standard chart

Type	Standard				
Colour	Off-White	Dark gray	Royal blue	Forest green	Ivory
Size 4020 mm	○	○	○	○	○
Size 4010 mm	○	○			○

Type	Static	Color static		Slide pipe	High strength
Colour	Black	Light gray	Ivory	Ivory	Ivory
Size 4020 mm	○	○	○	○	○
Size 2000 mm	○				

Outer diameter of all pipes is 28 mm (nominal size).
 For general specification pipe and anti-static pipe, core steel pipe thickness is approximately 0.7 mm (hot-dip galvanized).
 For high-strength pipe, core steel pipe thickness is approximately 1.4 mm (hot-dip galvanized).

"SPACIO" นวัตกรรมชิ้นวางอเนกประสงค์

Rack Pipe "SPACIO" ประกอบด้วยท่อและข้อต่อ โดยข้อต่อนี้มีจุด mark ตำแหน่ง เพื่อให้ประกอบชิ้นส่วนต่าง ๆ ได้อย่างง่ายดาย และรวดเร็ว



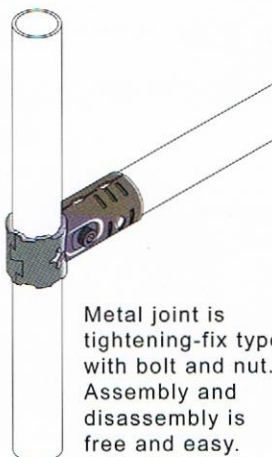
"SPACIO" ผลิตภัณฑ์คุณภาพสูงจากญี่ปุ่นด้วยกรรมวิธีชุบเคลือบสีแบบ Hot Dippgalvanize

ซึ่งเป็นการชุบโลหะทั้งภายในและภายนอก ก่อนเคลือบพลาสติก ช่วยยืดอายุการใช้งาน ไม่ทำให้เกิดสนิม

METAL JOINTS

SPACIO System enables you to assemble and disassemble freely. Metal Joint of excellent fixture strength has improved further the function.

3 features only for SPACIO



Metal joint is tightening-fix type with bolt and nut. Assembly and disassembly is free and easy.

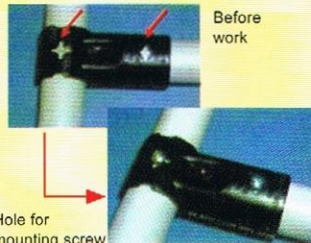
1 Easily assembled

Pipes can be easily put together with cross hole through which the position marking is seen.



2 Pipe can be stabilized with mounting screws (2 points)

If you wish to fix pipes more strongly with joints and shelf panel, you can use the hole for mounting screw.



3 Dimension measuring is easy!

End hook of measuring tape can be hooked on the cross hole.





CHAIN TYPES AND THEIR FEATURES

In order to satisfy heavy works in agriculture, agricultural roller chains furnished by TYC for either



transmission or conveying are qualified in durability & strength.

AGRICULTURAL ROLLER CHAIN

ANSI STD ROLLER CHAIN
TYC ANSI standard roller chains are compatible with those of other manufactures because they conform to all the requirements of the ANSI B29.1. The major usage of TYC ANSI standard roller chains is for power



transmission. For higher loading, multiple strands are available.

ISO STANDARD ROLLER CHAIN
TYC ISO standard roller chains conform to ISO, DIN and BS requirements. They can



be adapted to European factories and as substitutions for the chains on the European machine.

TYC produces two types of double pitch roller chain:
Transmission-with "8" shaped side plates.
Conveyor-with straight side plates.



These chains are furnished as the same standard as ANSI series, with all elements remaining unchanged except the double length pitch, and can serve in lower speed, light load and longer distance works.

Under the same precision quality, the reduction of material provide a more economical choice.

DOUBLE PITCH ROLLER CHAIN

TYC self lubricating chains use oil impregnated sintered metal bushings for manufacturing chains. Suitable for use



where lubrication is not possible but desirable.

SELF LUBRICATING CHAIN
TYC side bow chains are made with increased clearance between parts to provide extra ability to flex and



twist than standard chains.

SIDE BOW CHAIN

TYC 81X conveyor chains are manufactured with additional built-in clearance, desirable



under dusty and abrasive operating conditions.

81X CONVEYOR CHAIN

LEAF CHAIN
TYC leaf chains afford powerful, flexible linkage for transmitting, reciprocating or lifting. Especially well-suited for



use on fork lift trucks.

HEAVY DUTY CHAIN
When space and weight consideration prohibit the use of larger size chains, heavy series chains can provide higher



strength than corresponding ANSI roller chain. Available in single or multiple strands.

"C" TYPE ROLLER CHAIN
TYC "C" type roller chains are identical with ANSI standard chains except



with straight side plates instead of "8" shaped plates. These chains provide higher fatigue resistance than standard chains.



UPVC Elbow 90 Degree
UPVC ข้องอ 90 องศา (S x S)



UPVC Coupling
UPVC ข้อต่อตรง (S x S)



UPVC Elbow 45 Degree
UPVC ข้องอ 45 องศา (S x S)



UPVC Male Adapter
UPVC ข้อต่อเกลียวนอก (S x T)



UPVC Female Adapter
UPVC ข้อต่อเกลียวใน (S x T)



UPVC Pipe
UPVC ท่อ



UPVC Reducing Bushing
UPVC ข้อลดเหลี่ยม (S x S)



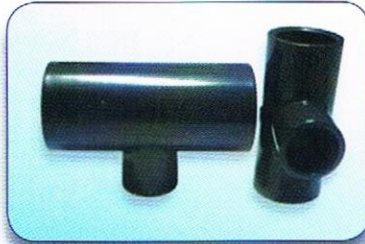
UPVC Reducer
UPVC ข้อลดกลม (S x S)



UPVC Tee
UPVC สามทาง (S x S)



UPVC Cap
UPVC ฝาครอบ



UPVC Reducing Tee
UPVC สามทางลด (S x S x S)



UPVC Union Sch.80
Size 1/2" to 4" End Type: Socket, Threaded



UPVC TS Flange
Size 1/2" to 12" End Type: Socket JIS 10K, ANSI



UPVC Blind Flange
Size 1/2" to 12" End Type: ANSI



UPVC Van Stone Flange
Size 1.1/2" to 12" End Type: ANSI