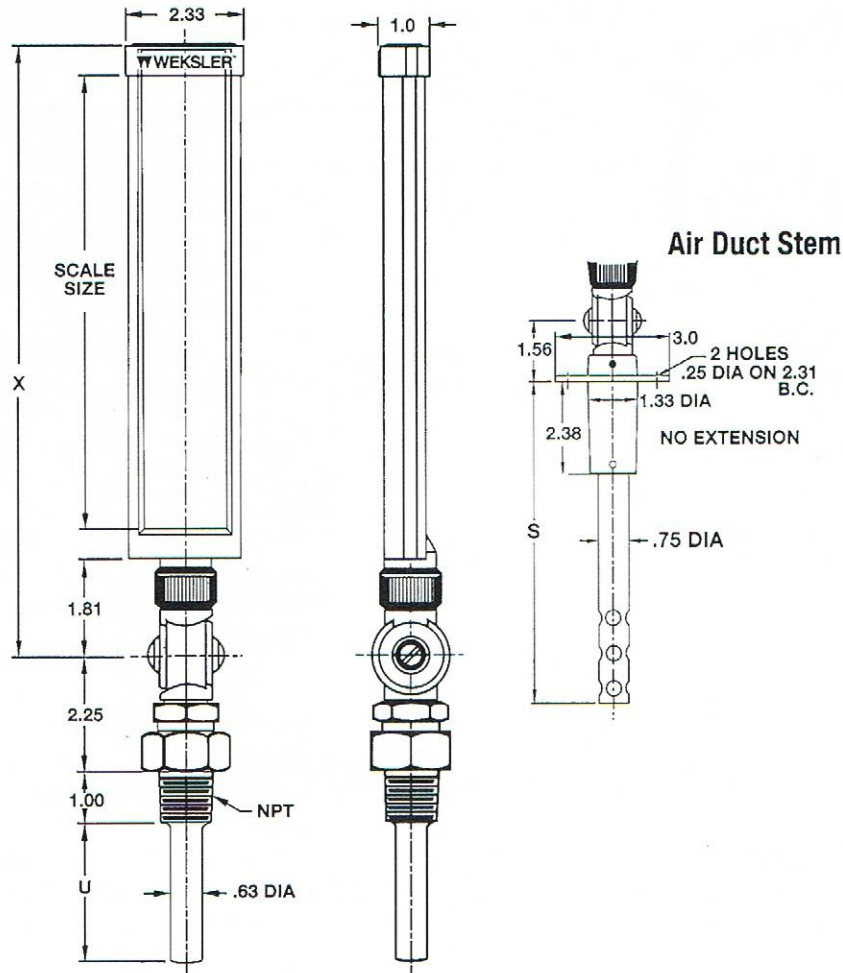
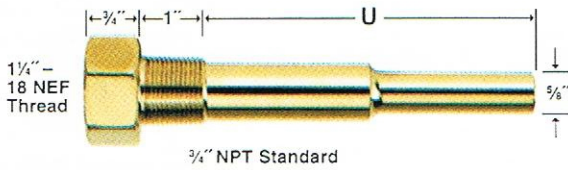


# WEKSLER Adjust Angle and Air Duct Thermometer

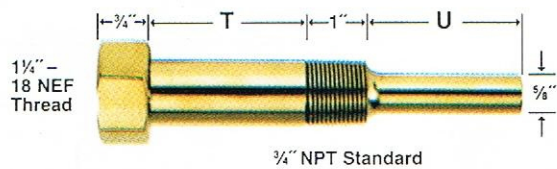
## GENERAL DIMENSIONS



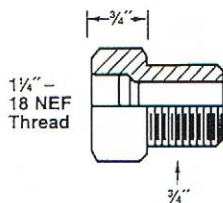
## Thermowells For Adjust Angle Thermometers



THERMOMETER STEM LENGTH	"U" DIM.	3/4" NPT - CATALOG NUMBER			
		BRASS	STEEL	304 SS	316 SS
3 1/2"	2 1/2"	G1E3D2	G3E3D2	G6E3D2	G4E3D2
6"	5"	G1M3D2	G3M3D2	G6M3D2	G4M3D2
9"	8"	G1S3D2	G3S3D2	G6S3D2	G4S3D2
12"	11"	G1T3D2	G3T3D2	G6T3D2	G4T3D2



THERMOMETER STEM LENGTH	"T" DIM.	"U" DIM.	3/4" NPT - CATALOG NUMBER			
			BRASS	STEEL	304 SS	316 SS
3 1/2"	1"	1 1/2"	G1E3D2B	G3E3D2B	G6E3D2B	G4E3D2B
6"	2 1/2"	2 1/2"	G1M3D2E	G3M3D2E	G6M3D2E	G4M3D2E
9"	2 1/2"	5 1/2"	G1S3D2E	G3S3D2E	G6S3D2E	G4S3D2E
12"	2 1/2"	8 1/2"	G1T3D2E	G3T3D2E	G6T3D2E	G4T3D2E



CATALOG NUMBERS	
BRASS	304 SS
T143D2	T643D2

## Bushing