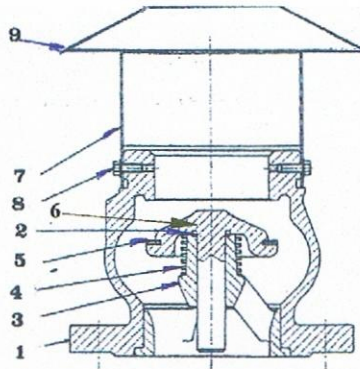


VIBRATION

VR-C 2 CAST IRON VACUUM BREAKER SIZE : 2" TO 14"

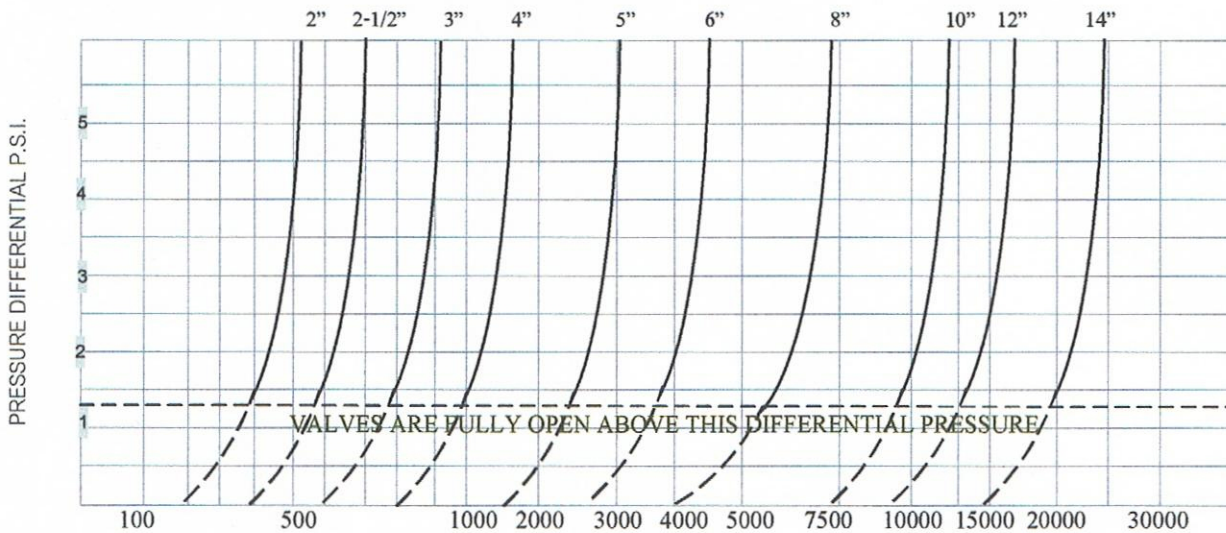
NOMENCULTURE

NO.	DESCRIPTION	QTY	METERIALS	AFNOR	DIN	BS	ANSI	
1	CASING	1	CAST IRON	FT 25 C	GG 25	1 452 260	A 126 CL.B	
2	RING	1	BRONZE	CUSN 12	G-CUSN 12	PB 2	4846A	
3	GUIDE	1	CAST IRON	FT 25 C	GG 25	1 452 260	A 126 CL.B	
4	SPRING	1	STAINLESS STEEL	Z 10 CN1809	1-4300	302 S225	AISI302	
5	SEAT	1	NITRILE : NBR RUBBER					
6	CLOSING SYSTEM	1	CAST IRON	FT 25 C	GG25	1 452 260	A126CL.B	
7	SCREEN	1	GALVANISED STEEL					
8	SCREW	1	CADMID STEEL					
9	PLATER	1	GALVANISED STEEL					



VR-C2

VENTING CAPACITY FOR VACUUM BREAKERS



FLOW OF AIR IN S.C.F.M.

(STANDARD CUBIC FEET OF FREE AIR PER MINUTE)